

Production of hydraulic presses has in our company a long tradition.

We currently offer **2 types**:

- **C-350** with pressing force 35 tons
- **C-500** with pressing force 50 tons

Advantages of our presses:

- massive cast-iron construction
- pressing force 35 and 50 tons
- two-speed control
- simple operation
- quality hydraulic components
- possibility of modification acc. to customer's demand

Use of presses:

- metal parts molding
- bending
- straightening
- punching
- small assembly working

Press is a **massive cast-iron construction**. It is C-shaped and it is placed on four pedestal feet.

Straightening table is bolted on the press and has **dimensions 370 x 1500 mm**.

T-slots in the table and 80 mm dia. hole serve for tool fastening.

Control system is fastened on a bracket on the right press side.

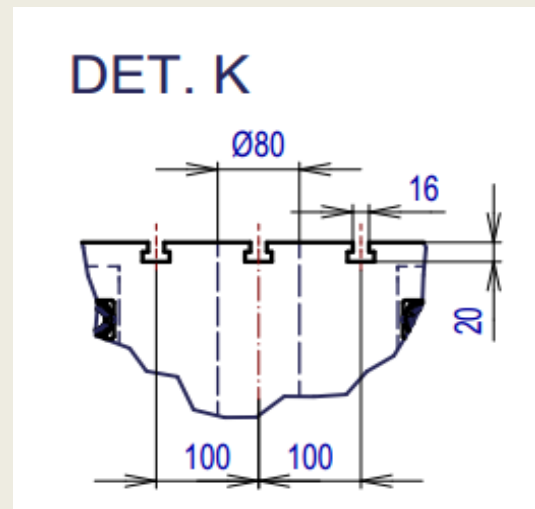
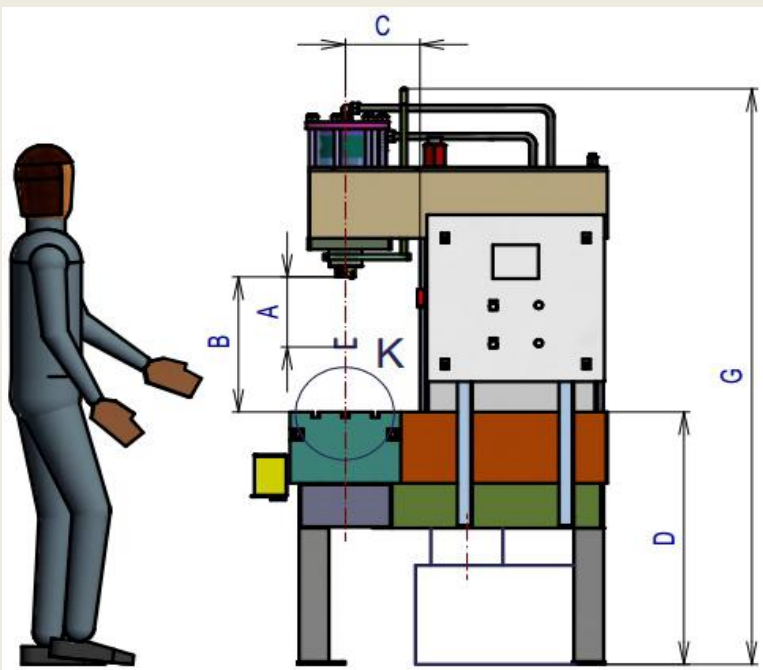
Hydraulic aggregate is placed on the press left side, it is fully utilized the free space around the press.

Installation dimensions are only 1500 x 1200 mm.

Straightening press has two-speed control, which can be two-button control, level control or foot actuation - according to customer's demand.

Warranty period: 10 years for mechanical parts and 1 year for hydraulic and electro components.

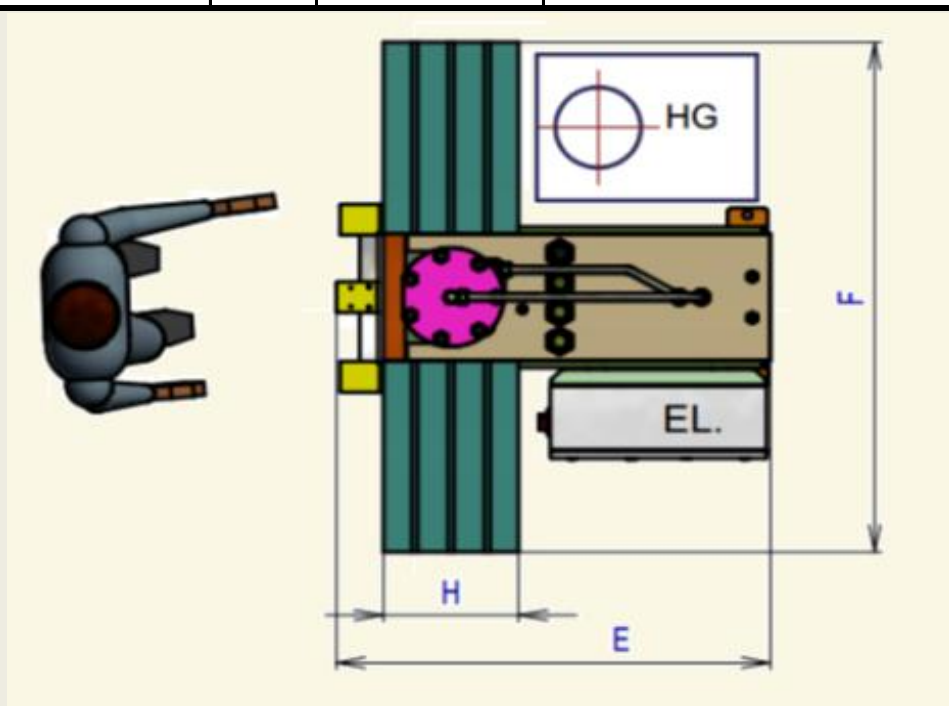
We provide **warranty and after-warranty service inspections**.



T-slots detail in straightening table

TECHNICAL PARAMETERS

PARAMETERS		UNIT	CR-350	CR-500
PRESS				
Max. pressing force		kN	353	508
Max. backward force		kN	163	260
Downforce velocity approach / pressing		mm/s	33/18	26/13
Backforce velocity		mm/s	39	24
DIMENSIONS				
Ram stroke	A	mm	250	
Press opening	B	mm	500	
Press unloading	C	mm	250	
Table height	D	mm	900	
Press lenght	E	mm	1200	
Press width	F	mm	1500	
Press height	G	mm	2100	
Working table width	H	mm	370	
Press weight		kg	3450	3500
HYDRAULICS				
Max. pressure		bar	200	
Working fluid			OH-HM 46	
Filling		l	100	
ELECTRO				
Electric motor		kW/rev.	7,5/1450	
Connection			3x400V/230V 50Hz	



TARPO

Ltd. , Prazska 346, 270 01 Knezeves, Czech Republic
 Mobil: 774 416 003, E-mail: obchod@tarpo.cz, www.tarpo.cz